



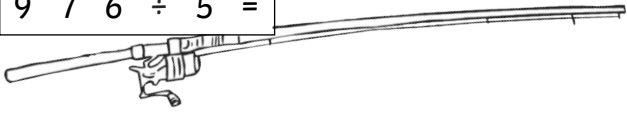
Extra Challenge

I can divide numbers by a one-digit number using short division.

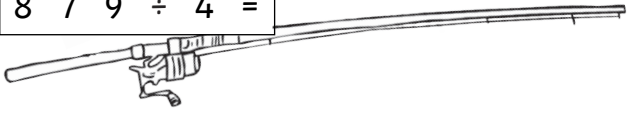


Match the fishing rod to the correct fish. Answers are rounded to 2 decimal places.

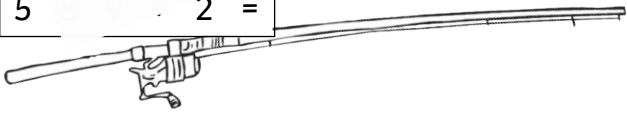
$$976 \div 5 =$$



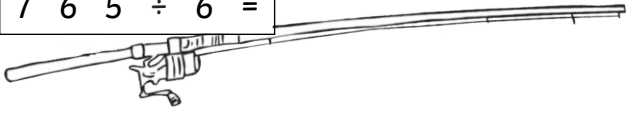
$$879 \div 4 =$$



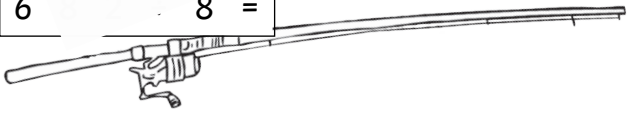
$$5 \quad \quad 2 =$$



$$765 \div 6 =$$



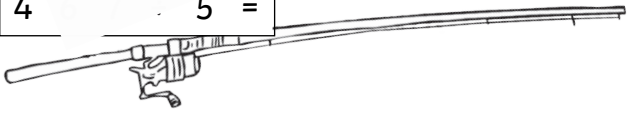
$$6 \quad \quad 8 =$$



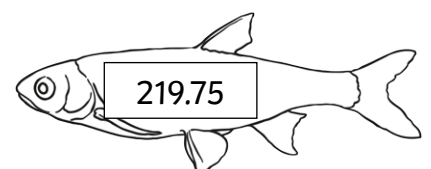
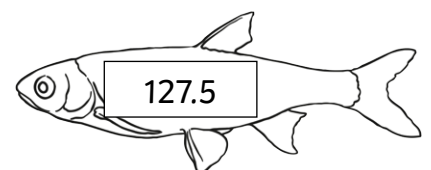
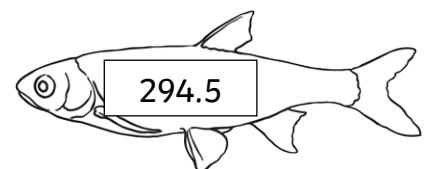
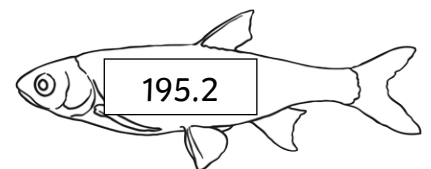
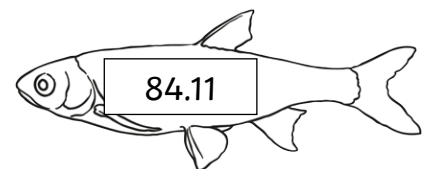
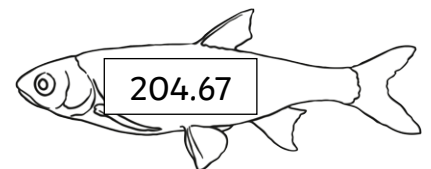
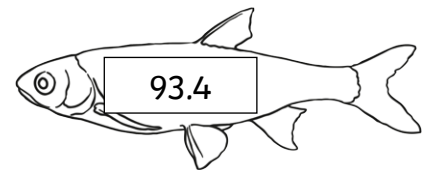
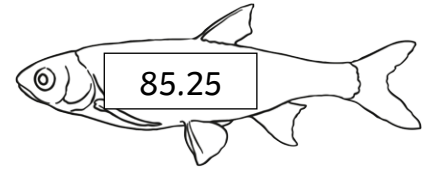
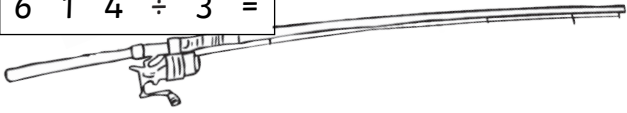
$$757 \div 9 =$$










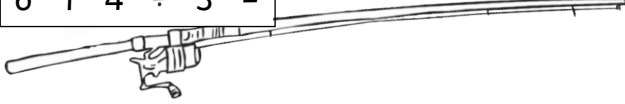
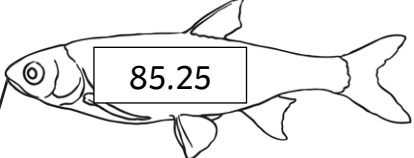
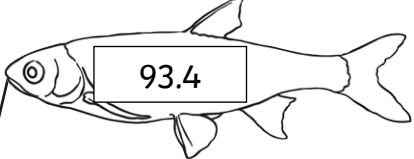

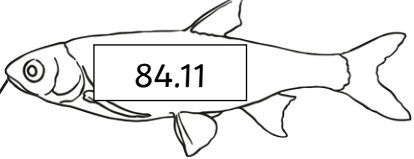
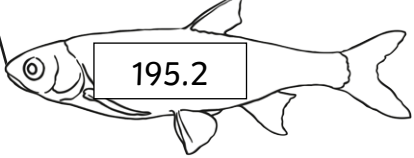
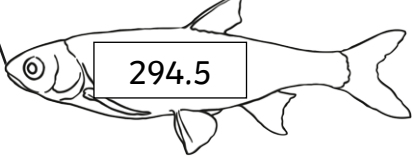
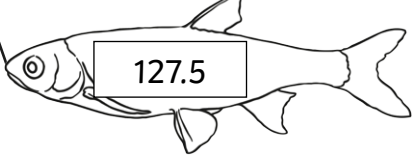
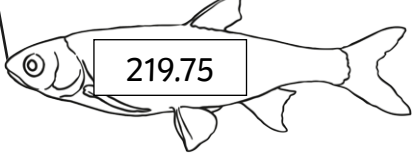
$$4 \quad \quad 5 =$$



$$614 \div 3 =$$



Extra Challenge Answers

Question	Answer
Match the fishing rod to the correct fish. Answers are rounded to 2 decimal places.	
<div style="display: flex; flex-direction: column; gap: 10px;"> <div style="display: flex; align-items: center;"> <div style="border: 1px solid black; padding: 2px; margin-right: 10px;">$976 \div 5 =$</div>  </div> <div style="display: flex; align-items: center;"> <div style="border: 1px solid black; padding: 2px; margin-right: 10px;">$879 \div 4 =$</div>  </div> <div style="display: flex; align-items: center;"> <div style="border: 1px solid black; padding: 2px; margin-right: 10px;">$5 \quad \quad 2 =$</div>  </div> <div style="display: flex; align-items: center;"> <div style="border: 1px solid black; padding: 2px; margin-right: 10px;">$765 \div 6 =$</div>  </div> <div style="display: flex; align-items: center;"> <div style="border: 1px solid black; padding: 2px; margin-right: 10px;">$6 \quad \quad 8 =$</div>  </div> <div style="display: flex; align-items: center;"> <div style="border: 1px solid black; padding: 2px; margin-right: 10px;">$757 \div 9 =$</div>  </div> <div style="display: flex; align-items: center;"> <div style="border: 1px solid black; padding: 2px; margin-right: 10px;">$4 \quad \quad 5 =$</div>  </div> <div style="display: flex; align-items: center;"> <div style="border: 1px solid black; padding: 2px; margin-right: 10px;">$614 \div 3 =$</div>  </div> </div>	<div style="display: flex; flex-direction: column; gap: 10px;">         </div>



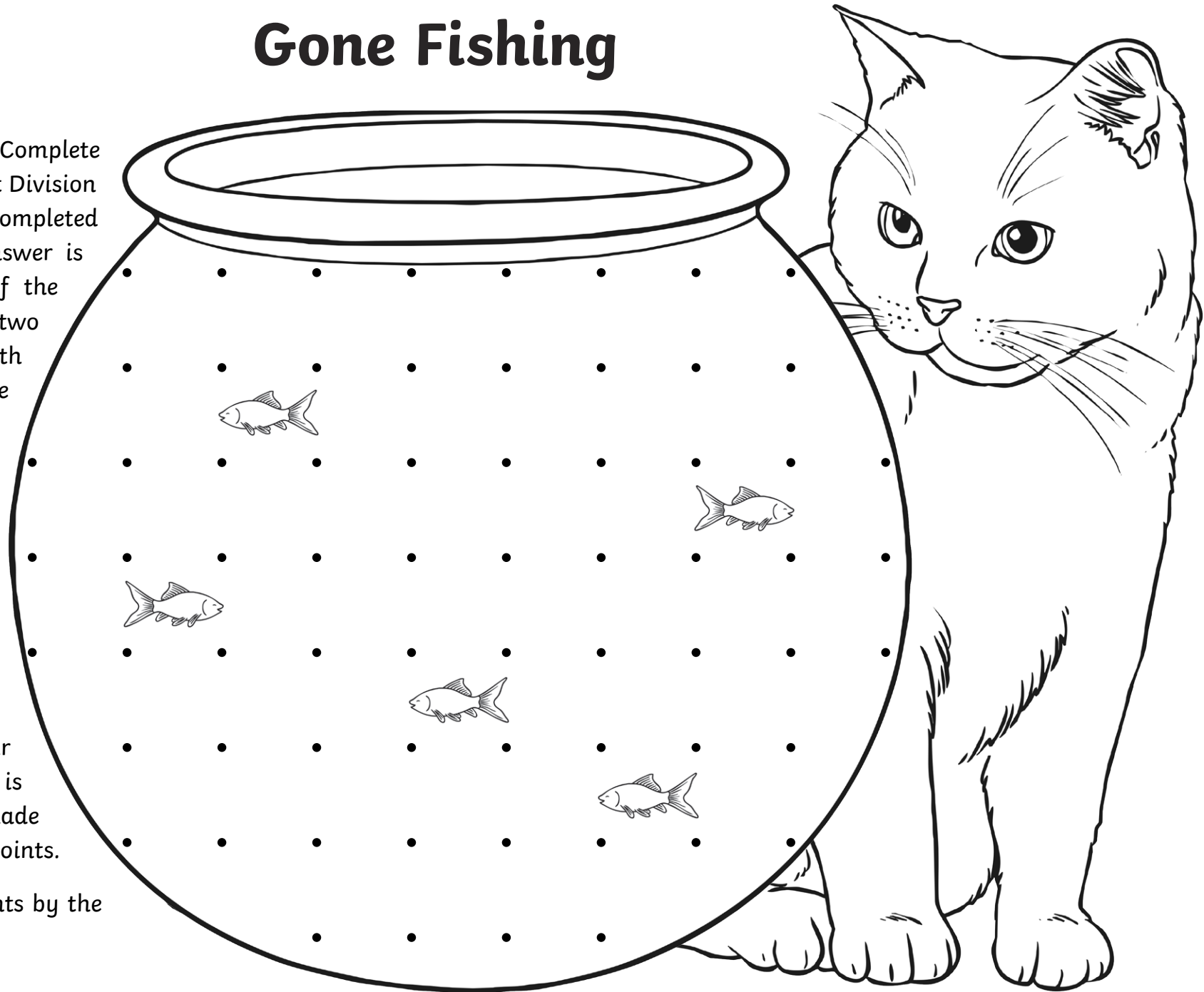
Gone Fishing

Two player game

Take turns to select a card. Complete the calculation using the Short Division Record Sheet. Once you have completed the calculation, check the answer is correct using a calculator. If the calculation is correct, join two of the dots on the tank with a horizontal or vertical line (not diagonal) and the turn is passed. If the answer is incorrect, the turn is passed to the next player without drawing a line on the tank.

During the game, boxes will be made by four lines joining together. The player who draws a line that finishes the four-sided box writes their initials in the box. Each box is worth one point. If a box is made around a fish, it counts for five points.

The person with the most points by the end of the game wins.



$5886 \div 9 = \underline{\hspace{2cm}}$

$7803 \div 9 = \underline{\hspace{2cm}}$

$6740 \div 4 = \underline{\hspace{2cm}}$

$6692 \div 7 = \underline{\hspace{2cm}}$

$2346 \div 3 = \underline{\hspace{2cm}}$

$2358 \div 3 = \underline{\hspace{2cm}}$

$9915 \div 5 = \underline{\hspace{2cm}}$

$7821 \div 9 = \underline{\hspace{2cm}}$

$3460 \div 4 = \underline{\hspace{2cm}}$

$4395 \div 3 = \underline{\hspace{2cm}}$

$9585 \div 5 = \underline{\hspace{2cm}}$

$5224 \div 8 = \underline{\hspace{2cm}}$

$4554 \div 6 = \underline{\hspace{2cm}}$

$2632 \div 4 = \underline{\hspace{2cm}}$

$5898 \div 6 = \underline{\hspace{2cm}}$

$9664 \div 4 = \underline{\hspace{2cm}}$

$7038 \div 9 = \underline{\hspace{2cm}}$

$6740 \div 4 = \underline{\hspace{2cm}}$

$8550 \div 6 = \underline{\hspace{2cm}}$

$9654 \div 2 = \underline{\hspace{2cm}}$

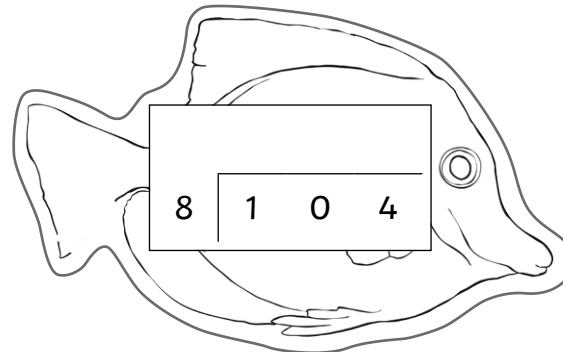
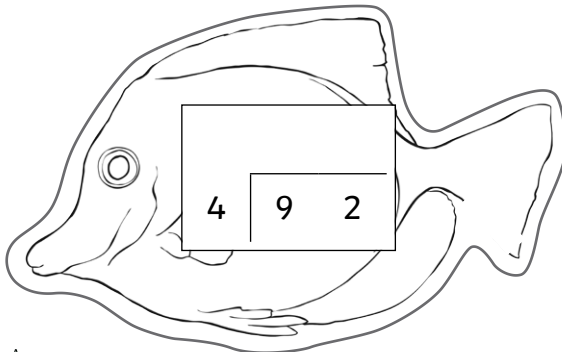
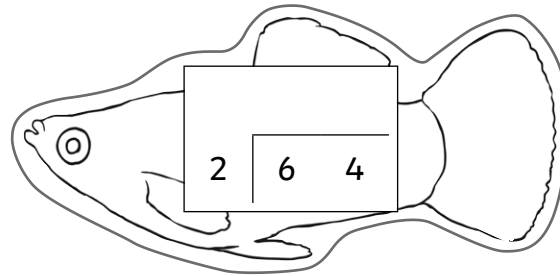
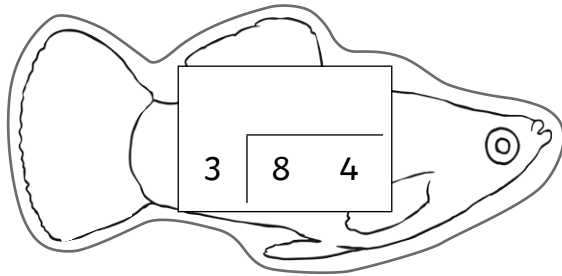
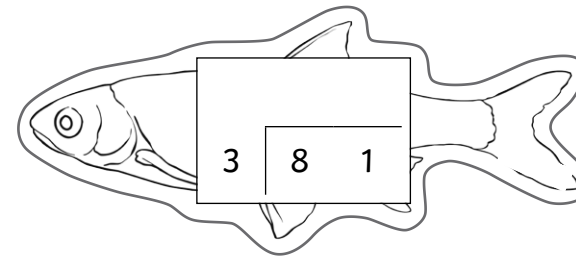
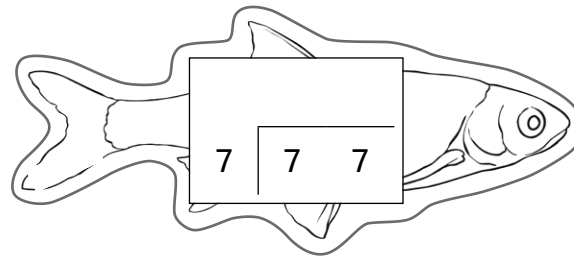
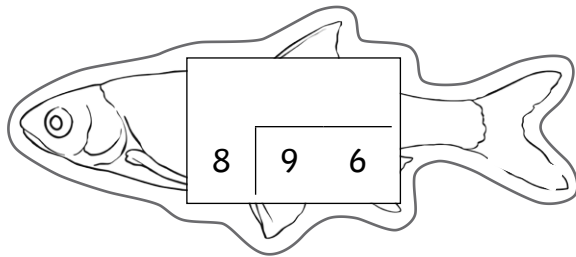
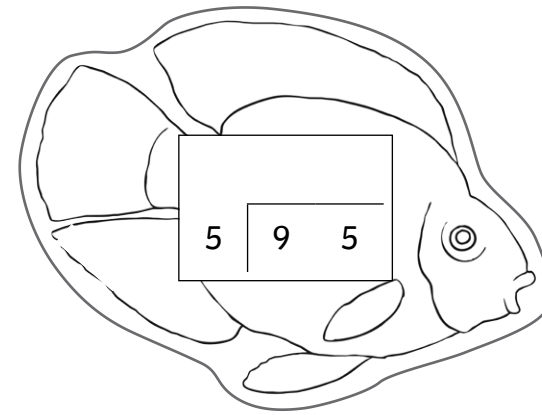
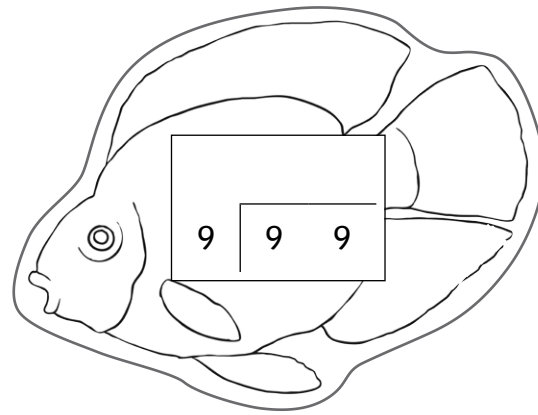
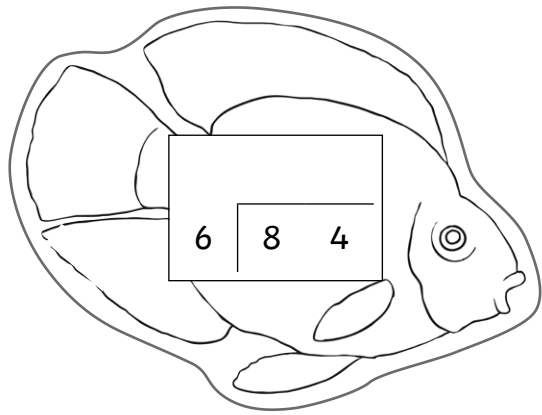




Gone Fishing Answers

Question	Answer
Answers the questions using short division.	
	$5886 \div 9 = 654$
	$2346 \div 3 = 782$
	$3460 \div 4 = 865$
	$4554 \div 6 = 759$
	$7038 \div 9 = 782$
	$7803 \div 9 = 867$
	$2358 \div 3 = 786$
	$4395 \div 3 = 1465$
	$2632 \div 4 = 658$
	$6740 \div 4 = 1685$

	$9915 \div 5 = 1983$
	$9585 \div 5 = 1917$
	$5898 \div 6 = 983$
	$8550 \div 6 = 1425$
	$7378 \div 7 = 1054$
	$6692 \div 7 = 956$
	$7821 \div 9 = 869$
	$5224 \div 8 = 653$
	$9664 \div 4 = 2416$
	$9654 \div 2 = 4827$



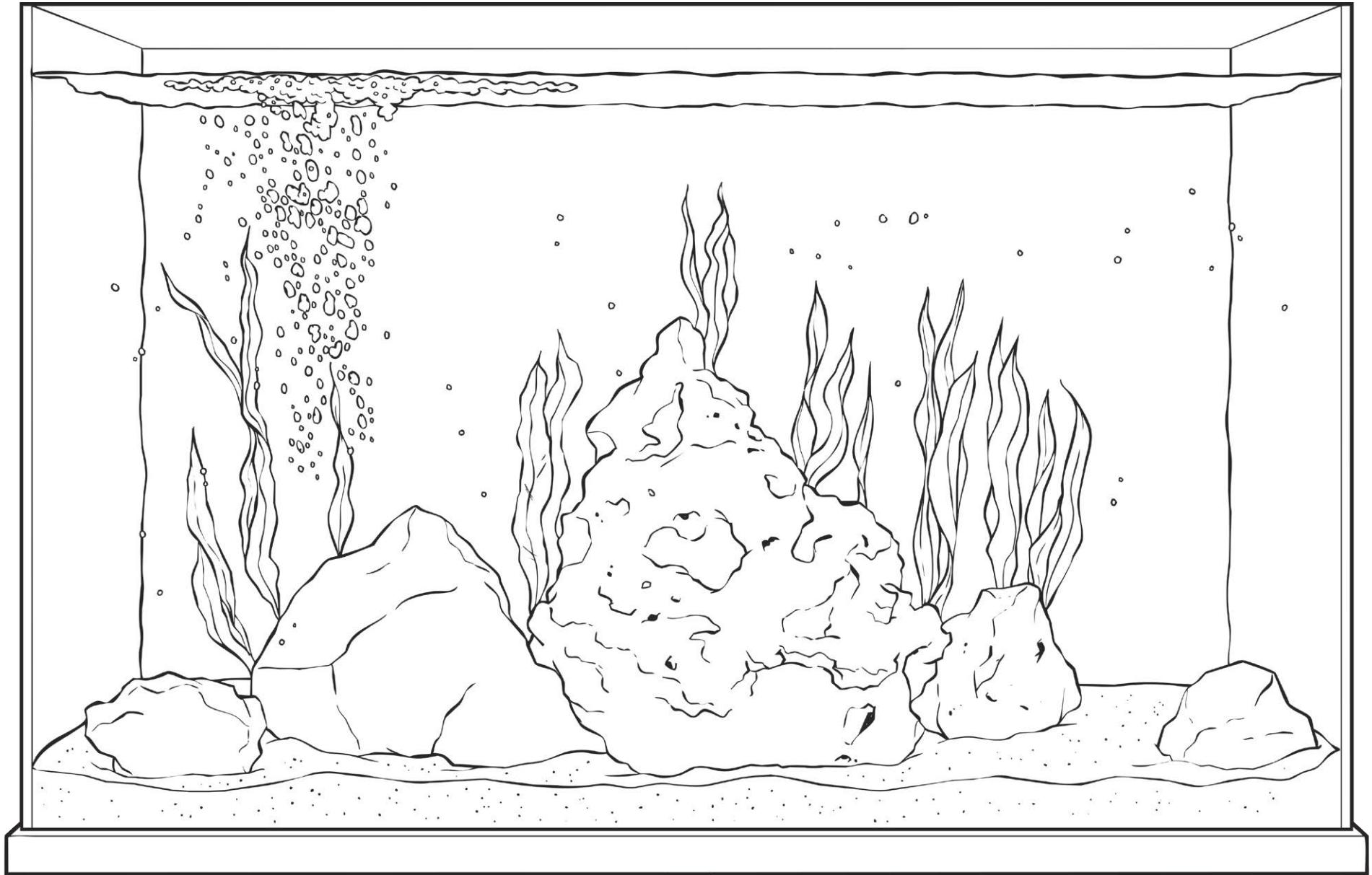
Gone Fishing

Cut out the fish. Complete the calculation on each fish, and then sort the fish by its answer into the correct tank. Once you have selected the correct tank, stick the fish onto the tank using a glue stick.

You may wish to work out the answers on the Short Division Sheet.

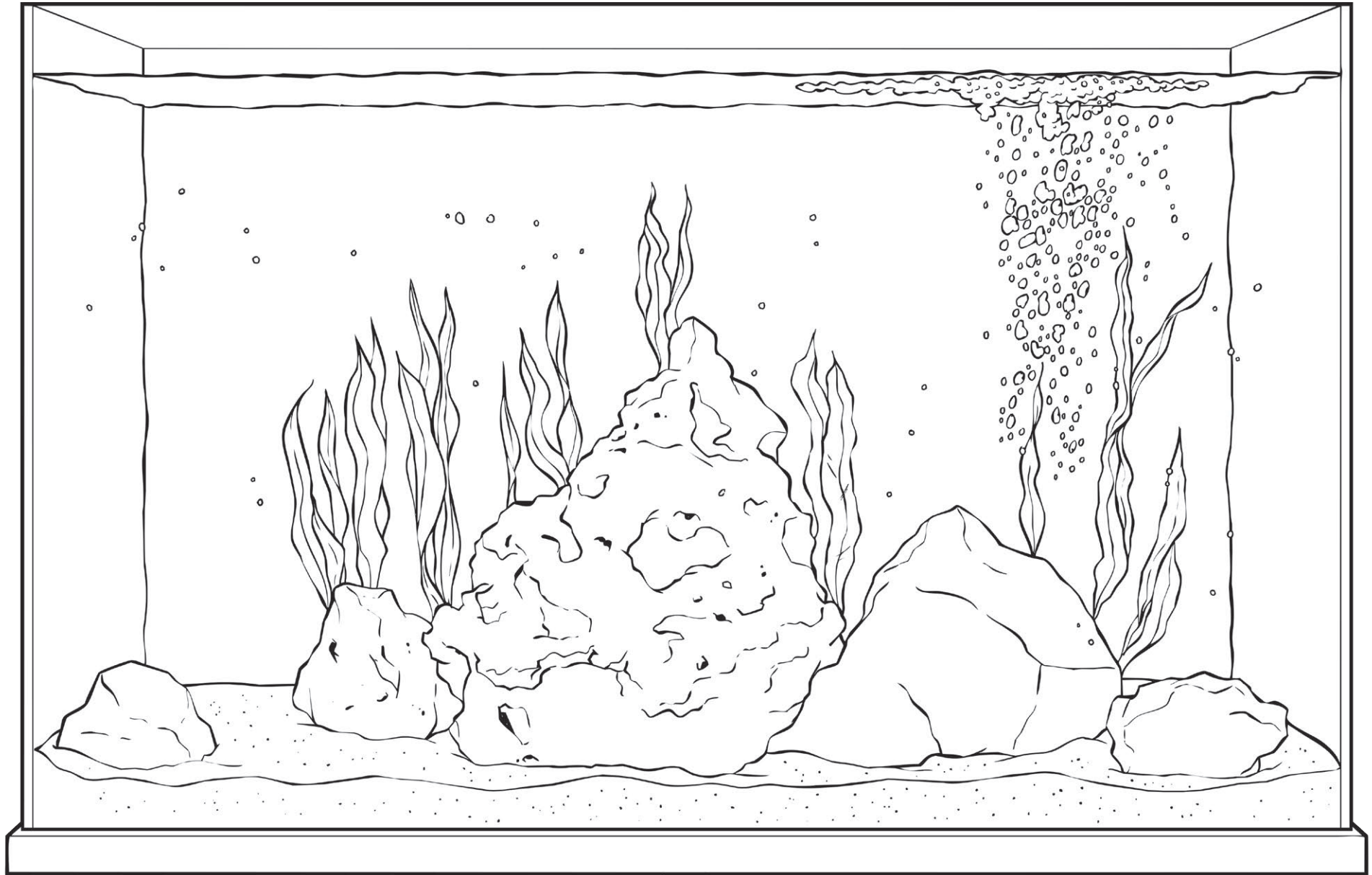


Answer is less than 15





Answer is 15 +

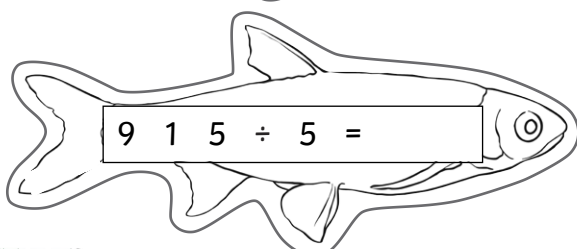
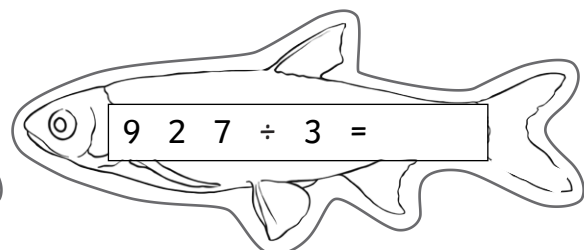
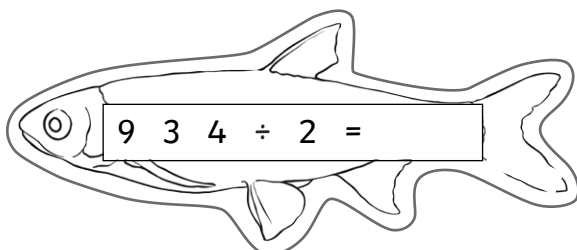
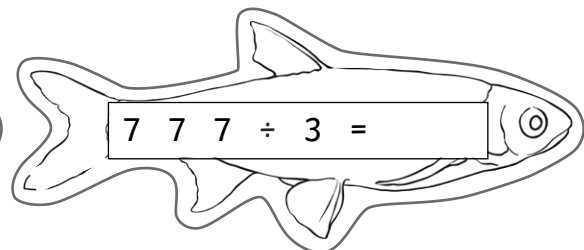
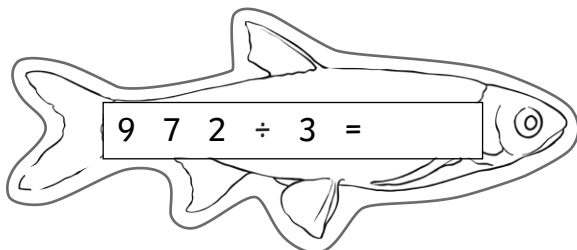
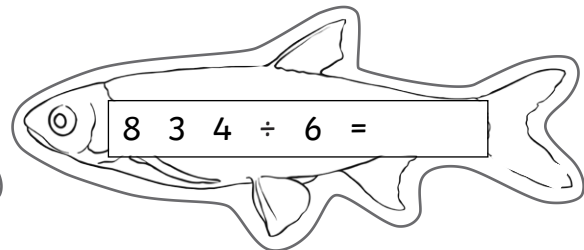
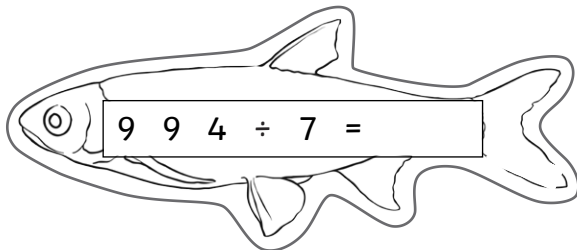
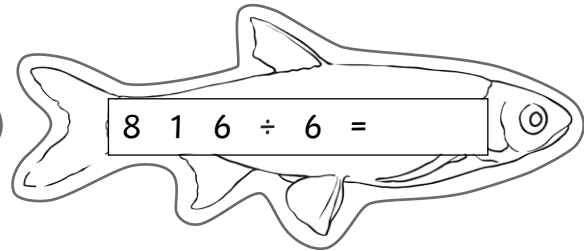
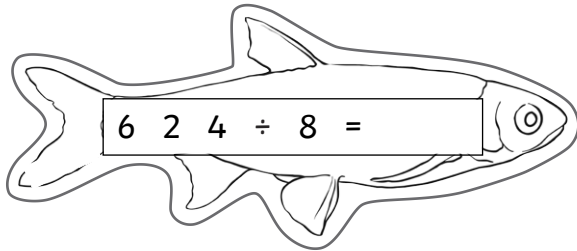
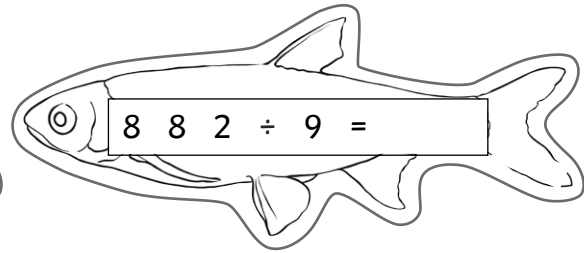
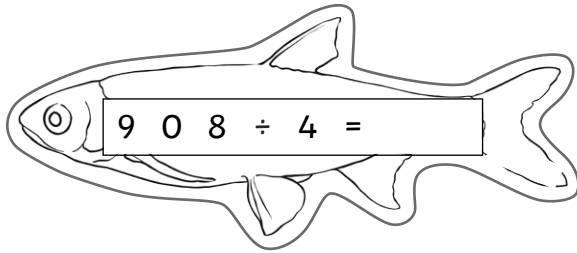
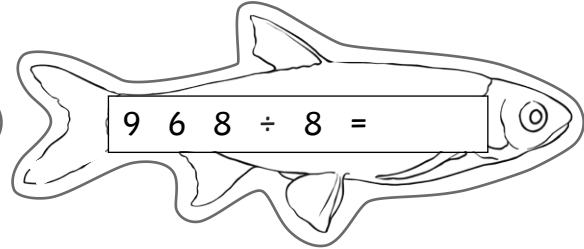
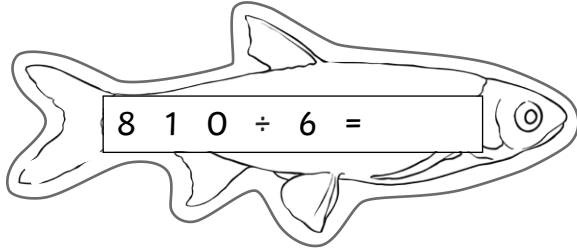
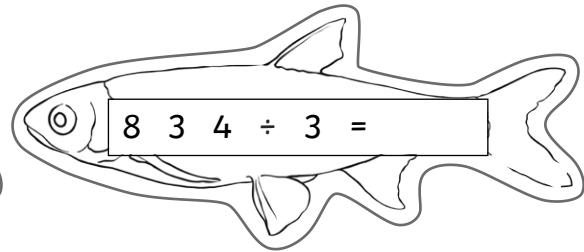
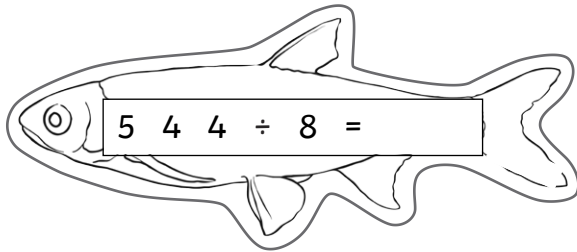




Gone Fishing **Answers**

Question	Answer	
	Cut out the fish. Complete the calculation on each fish, and then sort the fish by its answer into the correct tank. Once you have selected the correct tank, stick the fish onto the tank using a glue stick.	
	Answer is less than 15	Answer is 15 +
	$96 \div 8 = 12$ $99 \div 9 = 11$ $104 \div 8 = 13$ $84 \div 6 = 14$ $77 \div 7 = 11$	$84 \div 3 = 28$ $92 \div 4 = 23$ $64 \div 2 = 32$ $81 \div 3 = 27$ $95 \div 5 = 19$

Cut out and attach a paperclip to each fish.





Gone Fishing **Answers**

Question	Answer
Answers the questions using short division.	
	$544 \div 8 = 68$
	$810 \div 6 = 135$
	$908 \div 4 = 227$
	$624 \div 8 = 78$
	$994 \div 7 = 142$
	$972 \div 3 = 324$
	$934 \div 2 = 467$

	$915 \div 5 = 183$
	$834 \div 3 = 278$
	$968 \div 8 = 121$
	$882 \div 9 = 98$
	$816 \div 6 = 136$
	$834 \div 6 = 139$
	$777 \div 3 = 259$
	$927 \div 3 = 309$

